



Sydney Smart II 305 1.28/0.8 gal (4.8/3 L) Round Front Bowl & Elongated Bowl

Vitreous China Dual Flush
High Efficiency (HET),
Two Piece Ultra Low Flush
(ULF) Washdown Toilet.

PLUMBERS INSTALLATION INSTRUCTIONS. PLEASE READ CAREFULLY BEFORE INSTALLATION.

Rough in:

It is essential for the installation of the Sydney II 305 Two Piece Washdown toilet that the closet flange be accurately set out from the finished wall as detailed in Fig.3.

IMPORTANT:

Reducing wax ring **MUST NOT** be used when installing this toilet bowl, as detailed in Fig.2.

Working Water Pressure:

USA & Canada: Recommended working water pressure is 20-80psi (140-550Kpa).

Closet Bowl Fixing Procedure:

- 1- Position 'T' bolts into closet flange, as detailed in Fig.3.
- 2- Ensure that the area around the closet bowl is clean and free from building material.
- 3- Position wax seal onto closet flange.
- 4- Accurately align the closet bowl over the closet flange and lower into position.
- 5- Secure Closet bowl by hand tightening nuts and washers onto the 'T' bolts.
Apply an additional 1/2 turn for final installation.
- 6- It is recommended that a bead of acetic cured silicone caulking is applied fully around base of the closet bowl.
- 7- Remove any excess silicone caulking.

Tank Fixing Procedure:

- 1- Ensure that the foam seal is fitted onto the tail piece on the underside of the tank, as detailed in Fig.4.
- 2- Lower tank onto closet bowl, allowing the two tank fixing bolts protruding below the tank to fit through the corresponding holes in the closet bowl.
- 3- Fit the plastic wing nuts provided onto the tank fixing bolts which are protruding through the closet bowl and gradually tighten the left and right hand nuts by hand to evenly secure tank to closet bowl.
- 4- Connect water supply and check operation.
Note: Tapered rubber seal and wing nut assembled at inlet valve connection end is for 3/8" hard tube/pipe connection. Remove them if 7/8" ballcock braided hose is used.

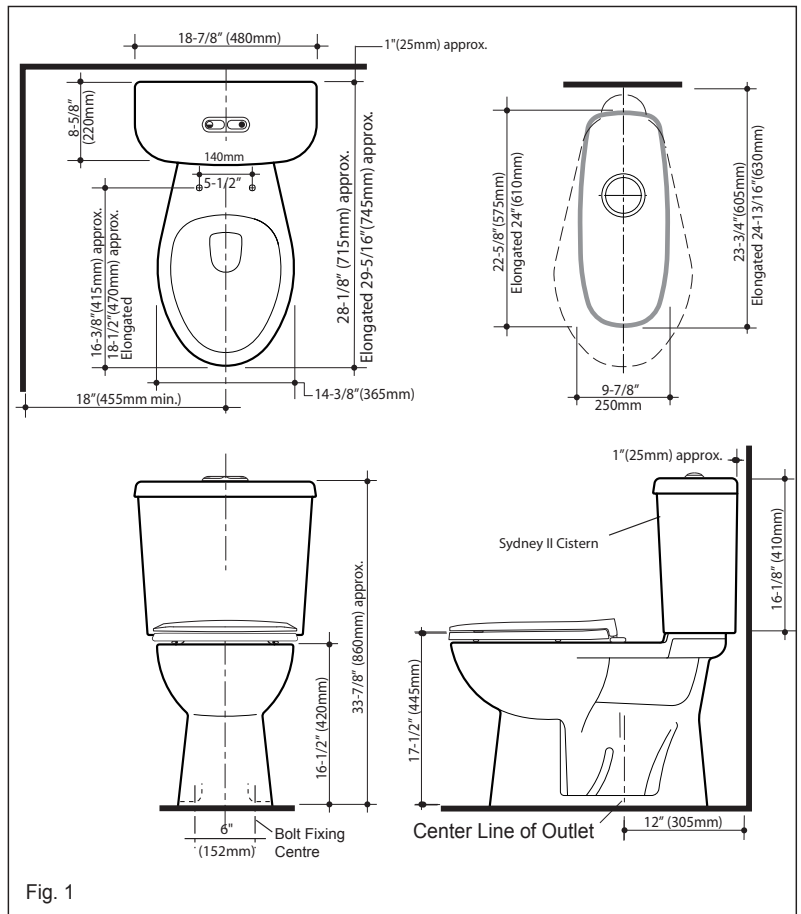


Fig. 1

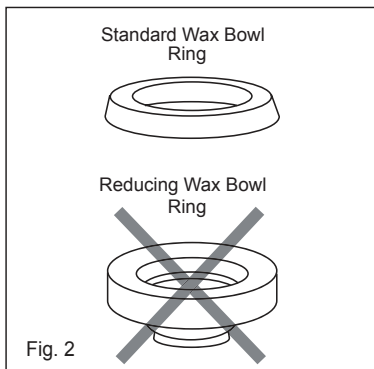


Fig. 2

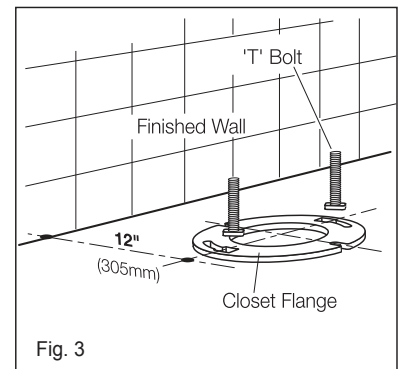


Fig. 3

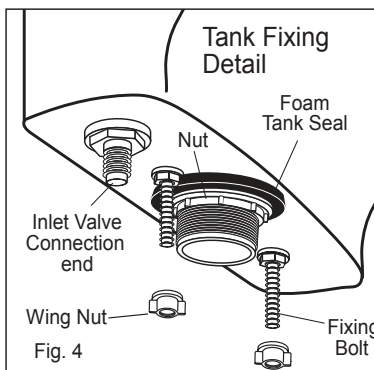


Fig. 4



HIGH EFFICIENCY TOILET
HET



All measurements are subject to accepted manufacturing tolerances. To ensure complete accuracy please check actual product dimensions before drilling for installation.

The manufacturer reserves the right to change specifications at any time without giving prior notification.

This product should be installed by a qualified plumber. Local authority, Water Board, and Building Regulations may apply to the installation of this product, and you should consult the appropriate bodies on these requirements. Failure to comply may invalidate the product warranty.

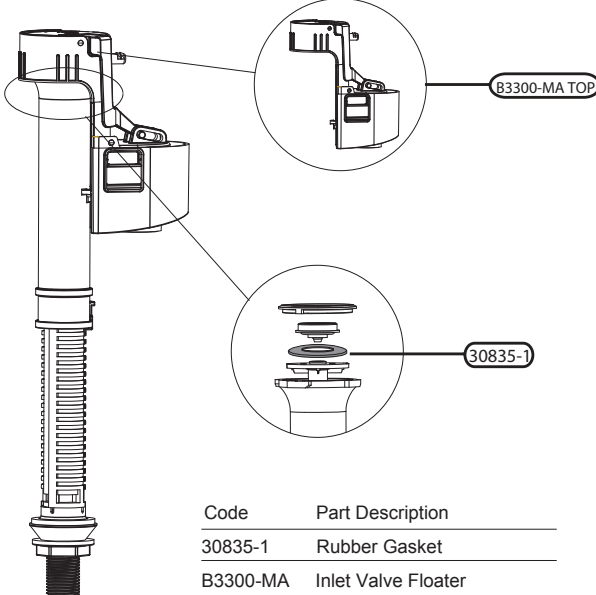


For further information please visit our website
www.sustainable-solutions.com

Sydney Smart II 305 1.28/0.8 gal (4.8/3 L) Round Front Bowl & Elongated Bowl Vitreous China Dual Flush High Efficiency (HET), Two Piece Ultra Low Flush (ULF) Washdown Toilet

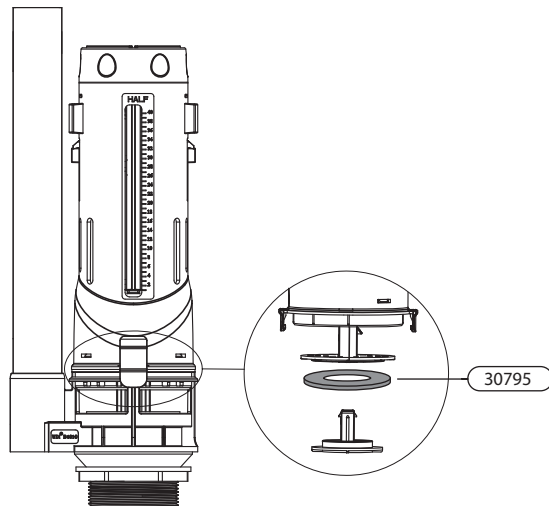
Tank Spare Parts

Inlet Valve Replacement Parts



Code	Part Description
30835-1	Rubber Gasket
B3300-MA TOP	Inlet Valve Floater TOP
B3300-MA	Inlet Valve

Outlet Valve Replacement Parts



Code	Part Description
30795	Outlet Valve Diaphragm Seal
B4910T-G	Outlet Valve 1.28/0.8 Gal (4.8/3 L)

CLEANING INSTRUCTIONS FOR VITREOUS CHINA:

To preserve the glazed surface, this toilet should be cleaned only with a mild household detergent or warm soapy water. Do not use any abrasive cleaners in the tank or bowl as this can damage the glazing.

For spare parts contact:

SSI[™]
SUSTAINABLE
SOLUTIONS
INTERNATIONAL

Under license from Caroma Industries Limited, Australia
Manufactured by SSI Sustainable Solutions International
Los Angeles, CA + Vancouver, BC

Telephone: (604) 430.2020

Fax: (604) 430.5050

Toll Free: (800) 460.7019

info2013@sustainablesolutions.com

www.caromausa.com www.sustainablesolutions.com